



BULL[®]

CATALOGUE 2024/2025

THE LAST GRILL YOU'LL EVER BUY

www.bullbbq.eu

“Since installing a Bull barbeque at home, I have discovered what US-style grilling is all about. One of the Bull slogans is ‘changing the way you barbeque’ - it makes grilling faster and easier. The Bull philosophy for grilling is to cook with your guests and not for them.

Personally, my favorite activity is gathering with my friends and family, having a laugh and eating together. With work taking up so much time in my life, I treasure those gatherings immensely. Plus, I make a mean pork hock with crackling!”



Bull Europe President, Sandro Zammit

KNOW QUALITY

Bull’s award-winning grills are designed, engineered in California, and master-crafted to meet certifications from CSA and CE, which means anyone with a Bull grill can take comfort in knowing that they’re cooking with the highest quality, premium grill on the market.

KNOW COMMITMENT

It’s not enough to just say you’re committed, Bull backs it up. From the 2mm thick 304 stainless steel used on every grill to the Lifetime Warranty* that covers fire boxes and cooking grates, Bull is committed to going the extra mile to provide you the ultimate outdoor cooking experience.

KNOW SERVICE

Bull provides a premium outdoor cooking experience that is manufactured with the highest quality materials. Bull maintains a complete in-house parts department with knowledgeable specialists available to answer any question imaginable. When you purchase a Bull Outdoor product, not only will you know it is made with expert precision, but you’ll have Bull’s dependable and responsive service department waiting to assist you.

Fact is, when you purchase a premium Bull grill, you’re getting a commitment to the highest-quality product and reliable service in the market. Period. Our grills and components are built to last a lifetime and that’s why we guarantee that your Bull grill will be the last one you ever purchase.

And that’s exactly why we say ... **Know Bull.**

2013

AGP Systems Ltd. becomes the first Bull dealer in Malta. Established since 1995 and having gathered extensive experience in design, installation and servicing of foodservice catering equipment, the Bull brand quickly made its way into the Maltese market. Bull Inc. were encouraged to invest in a European Distribution Project.

2014

The two companies meet for the first time in Bull HQ, Rialto CA. An agreement was reached to set up a Distribution hub jointly, to serve the EMEA region. As Bull are renowned for their Deliverable Quality Outdoor Kitchens, the construction of these was undertaken by the manufacturing arm of the AGI Group in Malta, Zamco Caterware Ltd. (Est.1975). It's existing plant in Malta and experience in the industry, could guarantee that Bull Outdoor Kitchens produced would be up to the standard expected from the Bull brand.

2015

Bull Europe was established.

The Bull Outdoor Kitchens Team in Malta manufactured its first Outdoor Kitchens. The Deliverable Outdoor Kitchen concept was a huge success, and a numerable standard and custom kitchens were installed in various locations in Malta. Bull Europe hosts the first group of candidate Authorised Dealers from Europe in Malta. Many Dealers sign up immediately.

2016

Extensive changes were made to the CE grills and new components were developed by Bull for the EMEA markets. Bull Europe sets up at Spoga Gafa in Cologne for the first time. Bull was the only booth presenting the Plug & Play Outdoor Kitchen Concept. This gave the company a huge boost and helped the European Distribution Network grow very rapidly.

2017

The Bull Team in Malta mastered the art of working with Solid Ceramic Large format tile known as Gres and clad entire Outdoor Kitchen Bases and Tops, giving Kitchens a fresh, contemporary European look.

EMEA Sales Doubled.

2018

In Spoga Gafa 2018, Bull Europe amazed visitors with its contemporary European style finishes. Bull Europe's distribution network expanded to 25 countries with 11 distributors and over 80 dealers throughout the EMEA. Warehousing facilities in Malta increased to 1000 sq. mts Footprint.

2019

The Bull Europe Team is enhanced with substantial investment in human resources on the manufacturing floor, logistics, sales, marketing, and after-sales service. The Outdoor Kitchen manufacturing facility is doubled in area to cope with the increasing demand.

2021

Bull Europe continues to grow despite the global shipping crisis and pandemic. Bull Europe increases its presence in Europe and establishes a strong distribution network in the Middle East.

EMEA Sales Quadrupled From 2019.





OUTDOOR KITCHENS

WITH EVERY OUTDOOR KITCHEN
PURCHASED YOU GET:

Care and Maintenance
Tool Box

Waterproof & Breathable
Sumbrella Surlast Cover



. . . AND WE WILL BRING YOUR OUTDOOR KITCHEN
TO YOUR KERB SIDE



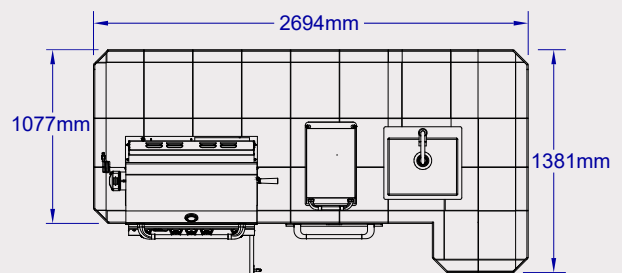
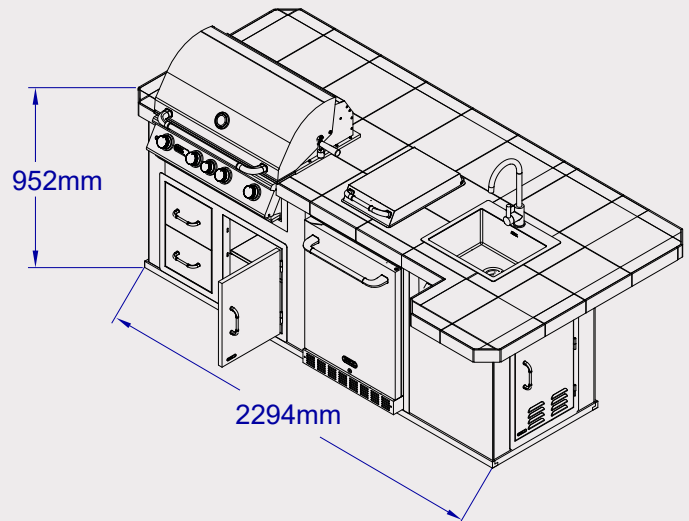
ALL YOU HAVE TO DO IS *PLUG & PLAY*



OUTDOOR KITCHENS

ODK BBQ - STANDARD

The BBQ Outdoor Kitchen is perfect for grilling your favourite recipes. The "L" shaped BBQ design will become the centre of your outdoor cooking and entertainment.



Standard Features	
#31014	Standard ✓ or N/A ✗
Grill Type as Standard	Angus #47628/9CE
Standard Fridge #11002CE	✓
Stucco Base Standard	✓
Tile Top 30cm x 30cm with Bullnose	✓
Horizontal Access Door #89970	✓
Power outlet & Switch	✓
Sink & Faucet	✓
Structure Dimensions	
Base Footprint Size	220x 70 cm
Top Size	260 x 109 cm
Upgrades	
Grill Upgrades/Downgrades within the same size kitchen structure	Bison #88787CE Outlaw #26038/9CE Lonestar #87048/9CE
Base Upgrade Options	Stucco Rock #12397 Rock/Gres #33006
Upgrade from Tile Top To Solid Gres Coverlam	#43004
Fridge upgrades	#13700CE / #13100CE / #17400CE / #17900CE
Add SS Lining with middle shelf for Horizontal Access Door	#89972
Upgradeable Doors	Double Door #33568 Door/Drawer Combo #25876 Trash/Door Combo #65784
Add SS Lining with adjustable shelf for above Doors	Double Door Lining #74000 Combo Lining #89973
Add Drawers (#09970 can only fit above the Access Door)	Single Drawer #09970 Double Drawer #56985 Gas Drawer #56825
Optional	
Grill Frame optional	#49328
Side Burner optional	#60008/9CE
Bar Caddy optional (if fridge or sink are removed)	#97623 / #85624
Cutting Board optional #66007	✗
Bottle Opener optional #66006	✓
Large vertical side door	#89978
Warranty Details	
Island Structure	2 years
Kitchen Top	2 years
Gas Hose	*2 years
*As per international Gas Safety Regulations	*must replace every 2 years
Packing Dimensions	
Wooden Crate Length	270 cm
Wooden Crate Width	150 cm
Wooden Crate Height	200 cm
Wooden Crate Cube	8.1 m ³
Complete Crated Weight	Stucco 550 Kg Rock 850 Kg

IMAGE DISPLAYED CONTAINS UPGRADED FEATURES



OUTDOOR KITCHENS

ODK BBQ - UPGRADED



TOP	Solid Gres - Onice Honey
BASE	Solid Gres - Travertino White

Upgrades	Item
#33568	80cm Double Door
#13700CE	Premium Outdoor Rated Refrigerator
#60008/9CE	Drop-In Single Side Burner
#72000CE	Rockford Fosgate Bluetooth System
#49328	80cm Grill Frame



TOP	Porcelain Tile - Aragon Marango
BASE	Rock - Golden Harvest

Upgrades	Item
#25876	80cm Door / Drawer Combo
#13700CE	Premium Outdoor Rated Refrigerator
#60008/9CE	Drop-In Single Side Burner
#49328	80cm Grill Frame
#66006	Bottle Opener
#72000CE	Rockford Fosgate Bluetooth System



OUTDOOR KITCHENS

STANDARD FINISHES

STUCCO BASE



CREAM



BLUE GRAY



ASPIN



MESA TAN

PORCELAIN TILE TOP

ABADIA



AB COTTO



AB PAJA



AR MARANGO

ARGON



AR PERLA

BOULEVARD



BV REFORMA



BV GRACIA



BV PAULISTA



BV ANDRASSY

HOMESTEAD



HS NOCE



HS BEIGE

** Due to potential colour differences among computer monitors & printers we cannot guarantee that the colour you see on page is an exact colour reproduction of finished product. Colours may also vary between product lot numbers.



OUTDOOR KITCHENS

BASE FINISH UPGRADES

STUCCO ROCK



WHITE ASH



CHAMPAGNE GREY



RIVER ROCK



STONY CREEK

ROCK



GREY STONE



GOLDEN HARVEST



MESA WHITE

** Due to potential colour differences among computer monitors & printers we cannot guarantee that the colour you see on page is an exact colour reproduction of finished product. Colours may also vary between product lot numbers.



OUTDOOR KITCHENS

GRES FINISHES

BASIC



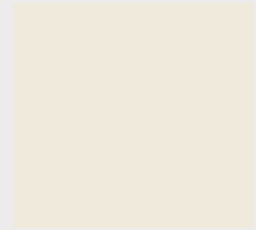
BASIC BLACK



BASIC TABACO



BASIC TAUPE



BASIC MARFIL

INDUSTRIAL



OXIDO NEGRO



MOMA ANTRACITA

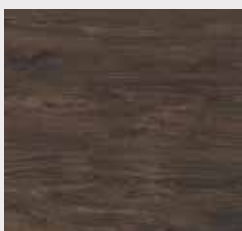


MOMA GRIS



DISTRITO MARFIL

WOOD



IRATI CASTANO



IRATI FRESNO



IRATI ARCE

MARBLE



CORALINA BLANCO



ESTUARIO WHITE



SUPREMO PULIDO

** Due to potential colour differences among computer monitors & printers we cannot guarantee that the colour you see on page is an exact colour reproduction of finished product. Colours may also vary between product lot numbers.